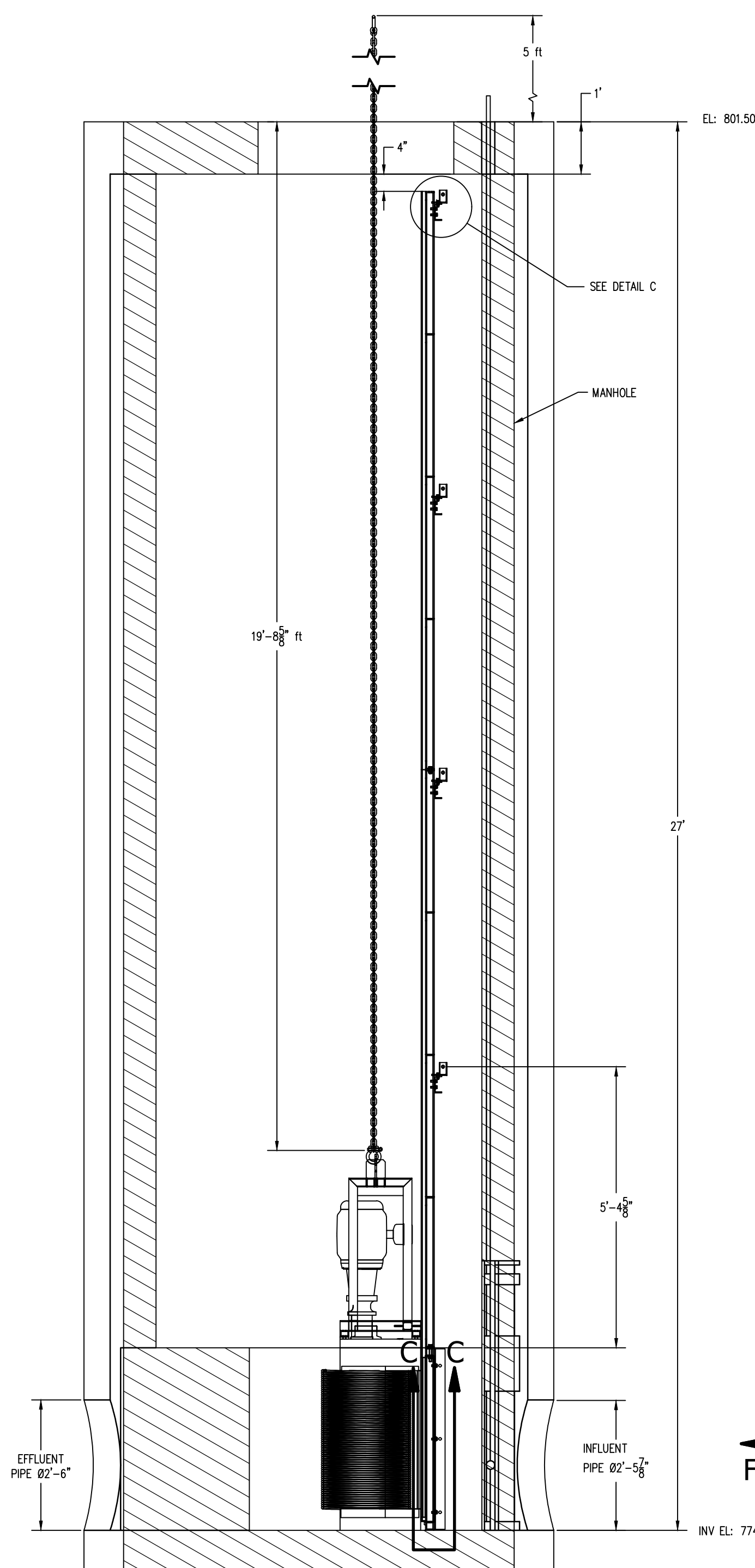
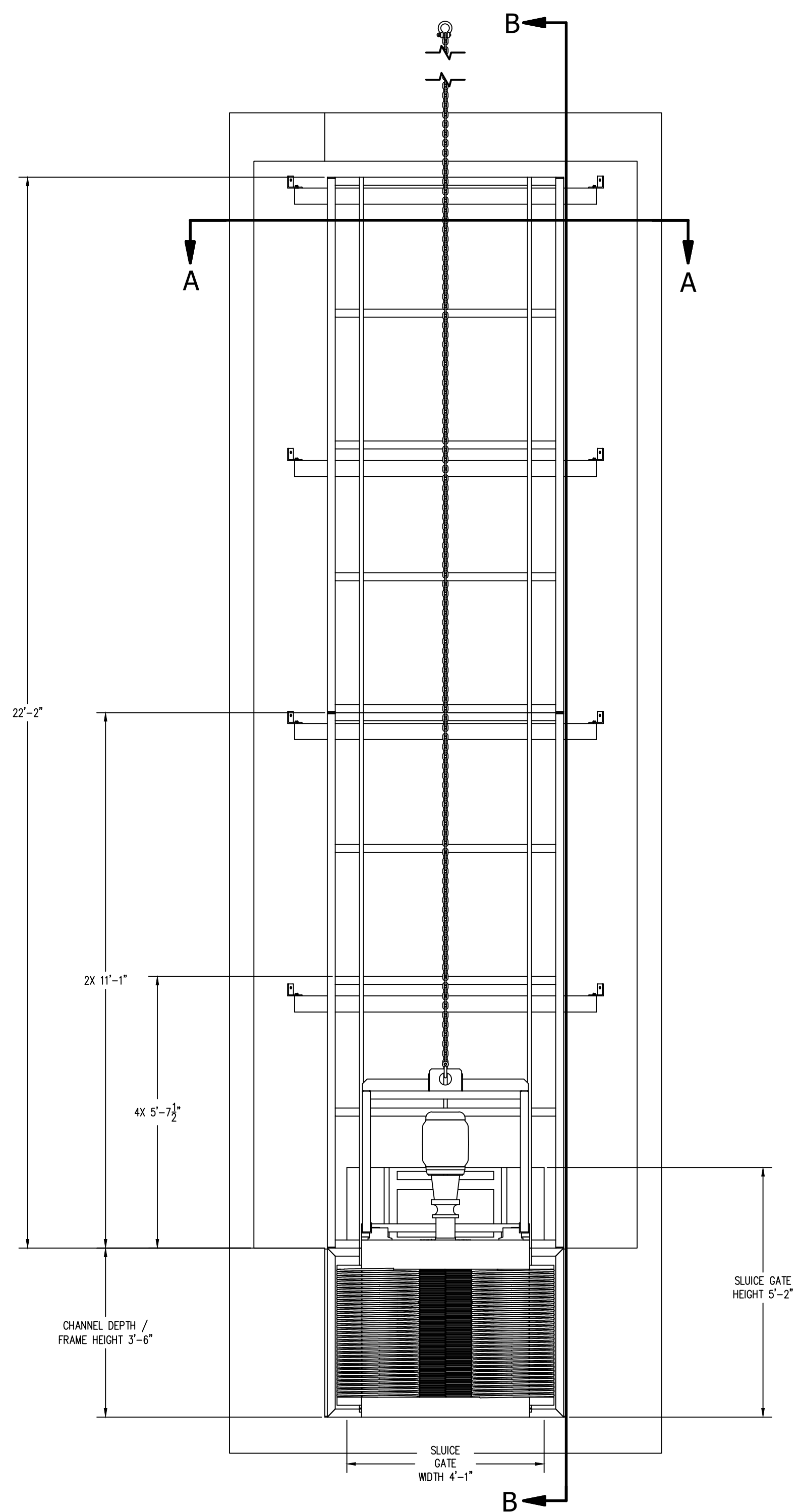
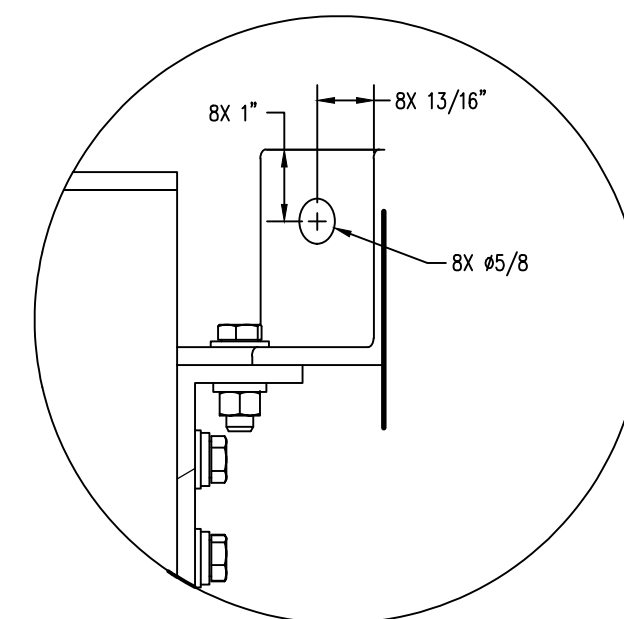


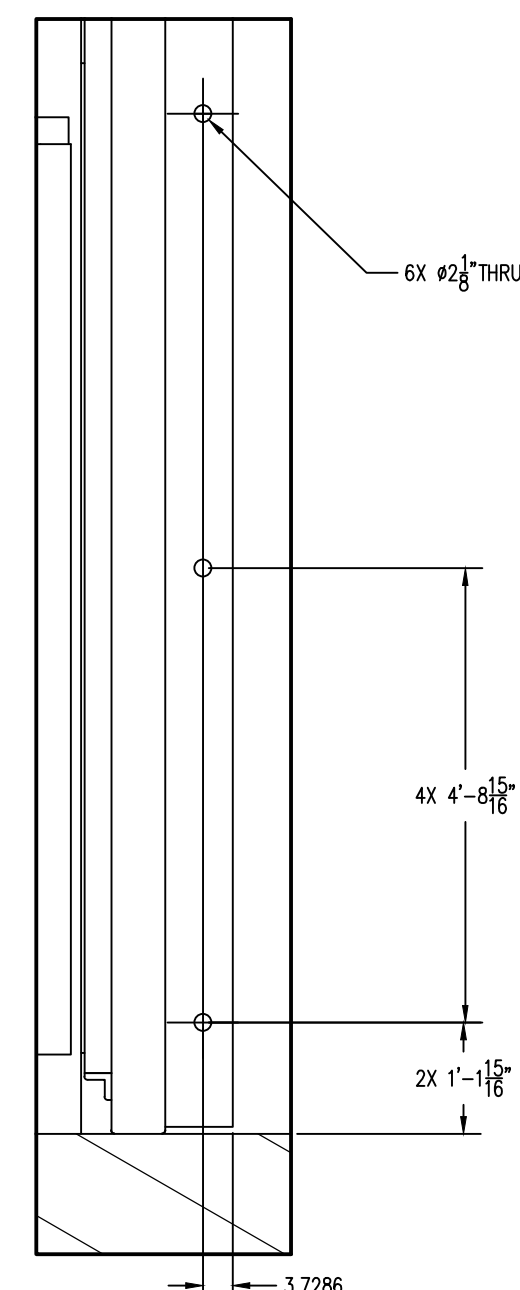
SECTION A-A



SECTION B-B



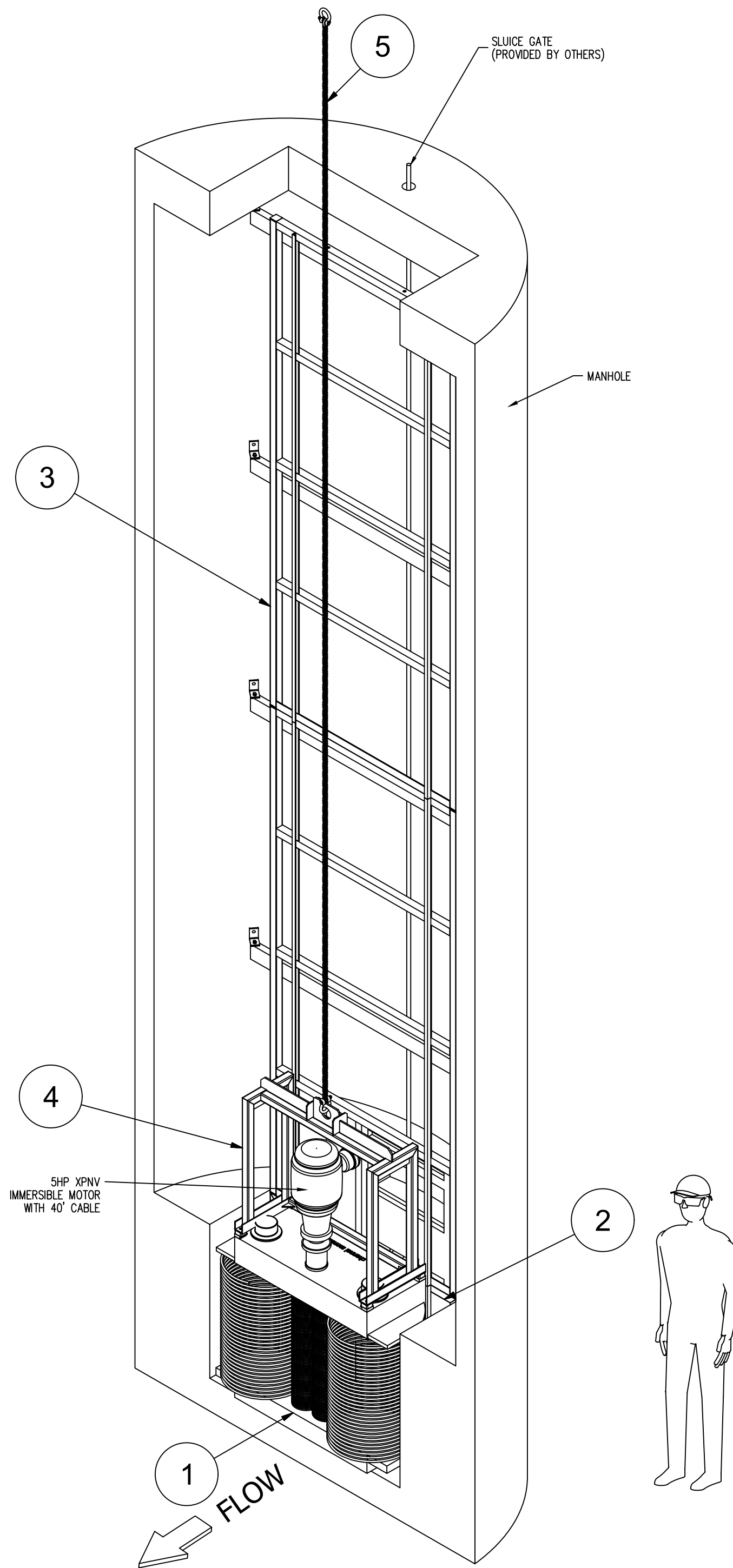
DETAIL C



SECTION C-C

NOTES: UNLESS OTHERWISE SPECIFIED

- 0 1/2" ANCHOR BOLTS ARE PROVIDED BY OTHERS.
- CONTRACTOR SHALL GROUT OR SEAL GAPS BETWEEN FRAME AND CHANNEL TO PREVENT ANY LARGE PARTICLES FROM PASSING.
- ALL DIMENSIONS NEED TO BE CONFIRMED TO ENSURE PROPER FIT.
- APPROXIMATE WEIGHTS:  
FRAME: 178 LBS.  
GUIDE RAIL: 694 LBS.  
GRINDER WITH LIFTING BALL: 2526 LBS.



5	1	31115-300-10-SU	HAUL CHAIN, 25' LONG	316 SST
4	1	CDA3105-2016-XD-SU	LIFTING BALL	316 SST
3	1	CDA1164-109251	GUIDERAIL	304 SST
2	1	CDA1161-3259-SS	ULTRAFRAME	304 SST
1	1	CDD3220-XDS2.0	CHANNEL MONSTER GRINDER	DUCTILE IRON
10	2	31115-0004-10-SU	5/8" ANCHOR SHACKLE	316 SST

DISCLAIMER

HSE'S LIFT STATION PLAN, LIFT STATION AND FORCE MAIN DETAILS AND LIFT STATION AND FORCE MAIN SPECIFICATIONS ARE COMPLEMENTARY IN NATURE AND SHOULD NOT BE INTERPRETED INDIVIDUALLY WITHOUT REFERENCE TO THE OTHER SHEETS.

THESE DRAWINGS AND THE IDEAS, DESIGNS AND CONCEPTS CONTAINED HEREIN ARE THE EXCLUSIVE INTELLECTUAL PROPERTY OF SANITARY MANAGEMENT & ENGINEERING COMPANY, INC. AND ARE NOT TO BE USED OR REPRODUCED IN WHOLE OR IN PART, WITHOUT THE WRITTEN CONSENT OF SANITARY MANAGEMENT & ENGINEERING COMPANY, INC.  
©2019 BY SANITARY MANAGEMENT & ENGINEERING COMPANY, INC.

JWC CHANNEL MONSTER® INSTALLATION  
NO SCALE

DATE	CHECK NO.	BY	DATE	CHECK	REVISIONS
1/27/2019	1	MMF	1/27/2019	IK	NEW DETAIL SHEET

**SAMCO**  
Sanitary Management & Engineering Company, Inc.  
FISHERS, INDIANA 46038  
317-577-1150 Fax 317-577-3642

PROJECT: Hamilton Southeastern Utilities, Inc.  
JOB NO.:                       
TITLE: TYPICAL LIFT STATION MASERATOR DETAILS  
SCALE: N/A

SHEET

CERTIFIED