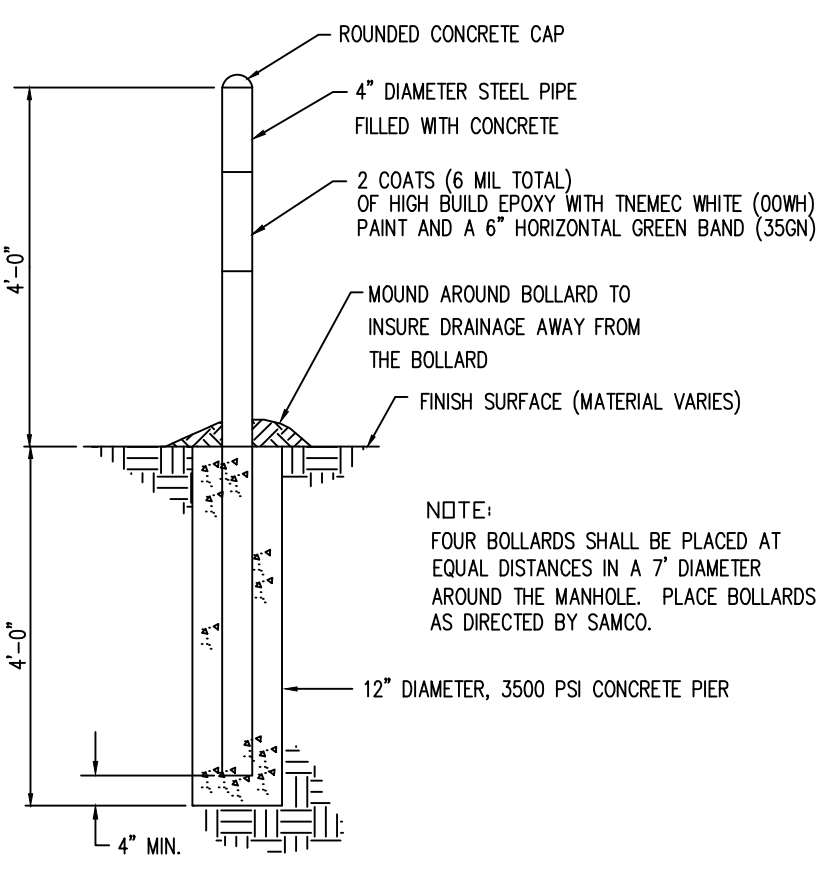
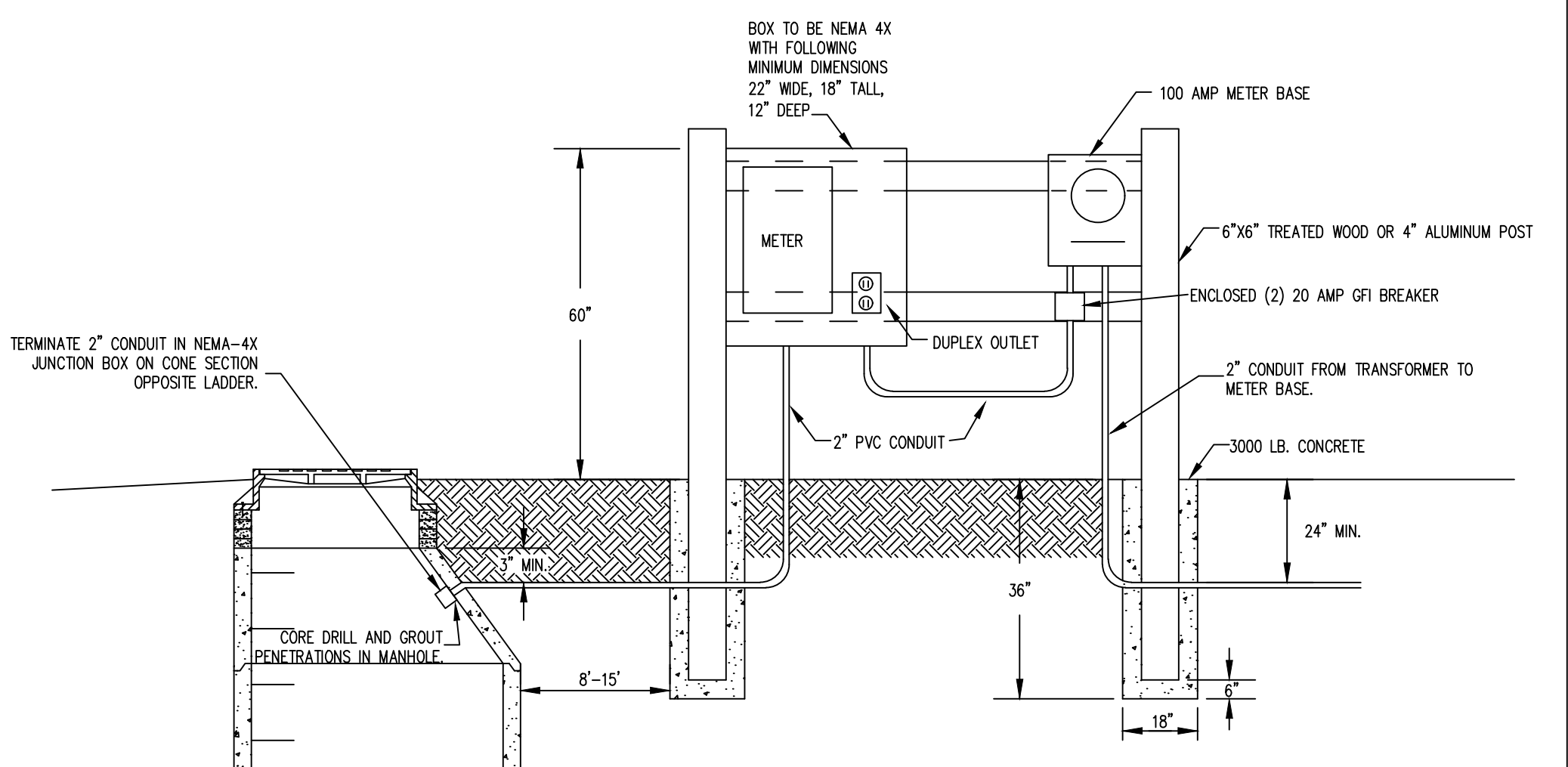


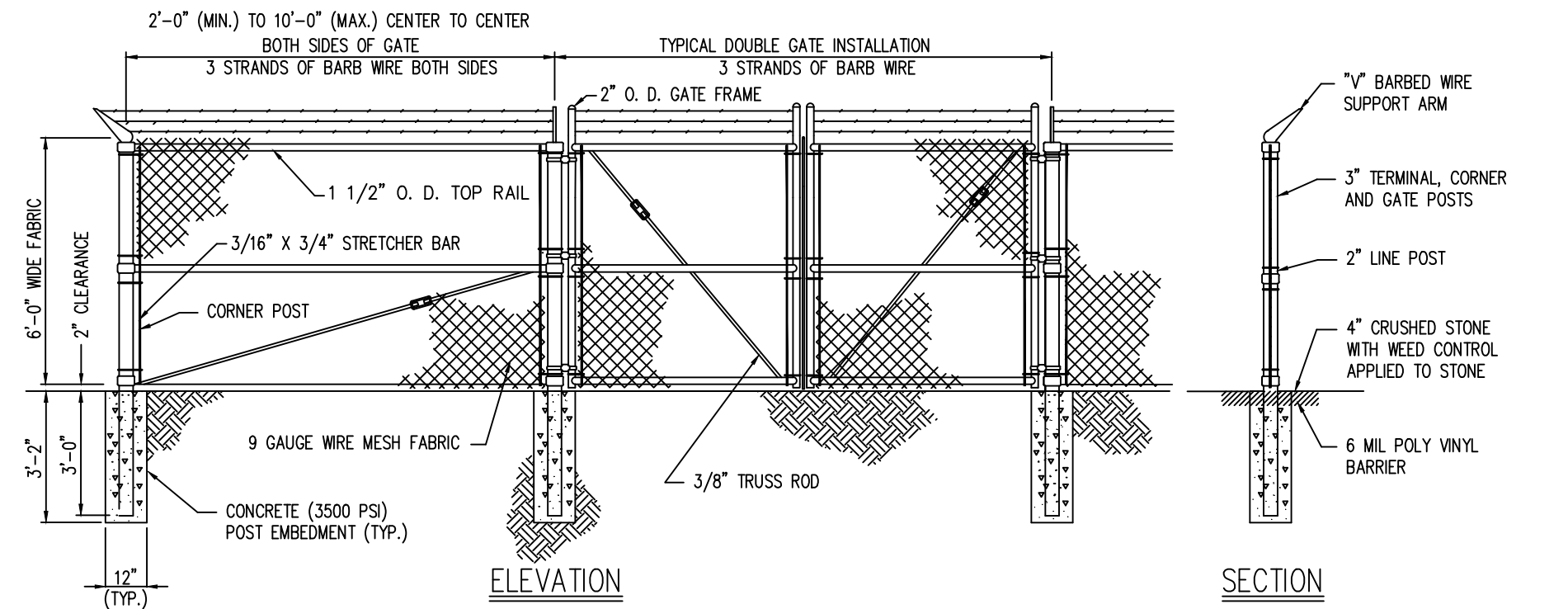
FARM GATE DETAIL
NO SCALE



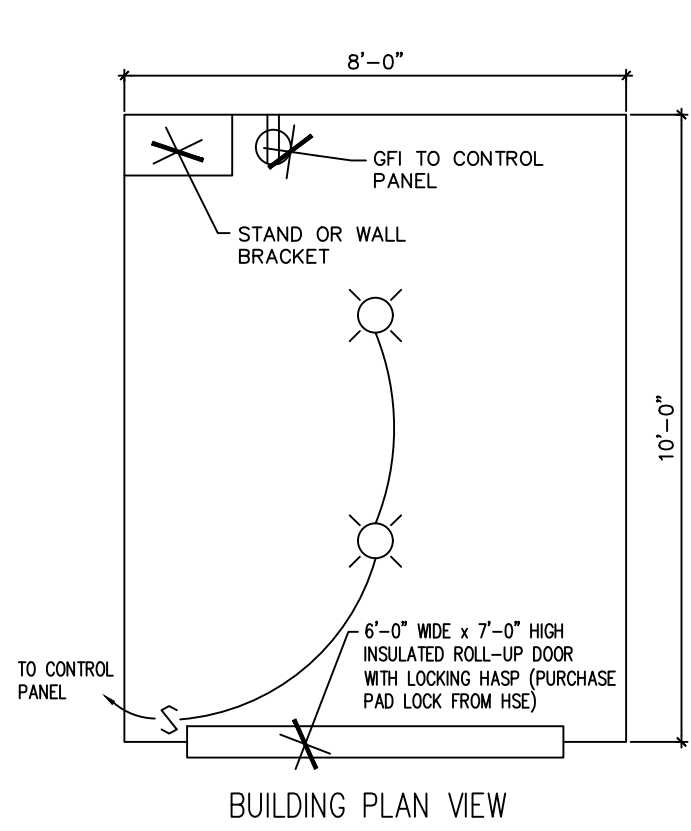
BOLLARD DETAIL
NO SCALE



FLOW MONITOR/METER DETAIL
NO SCALE

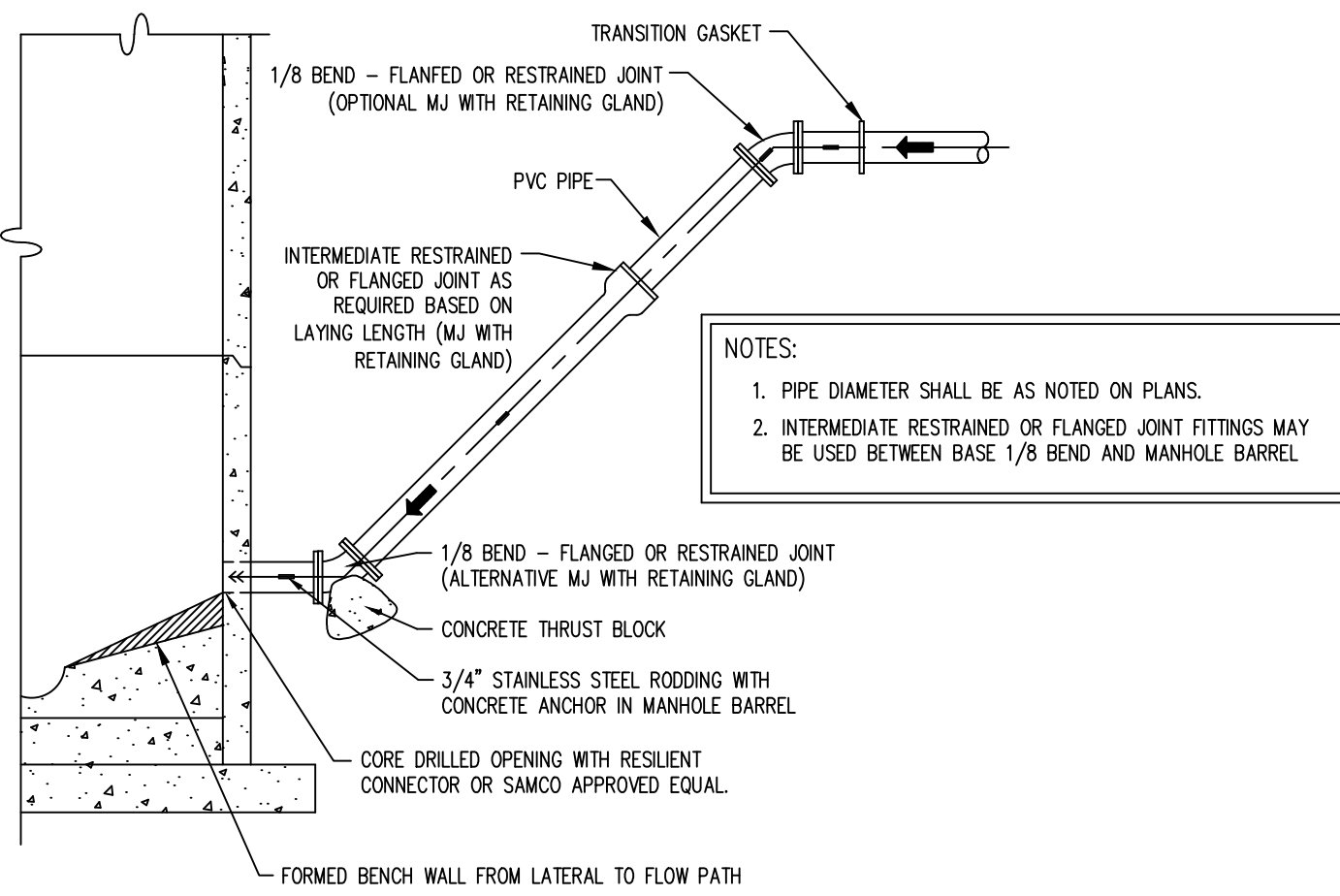


CHAIN LINK FENCE DETAIL
NO SCALE

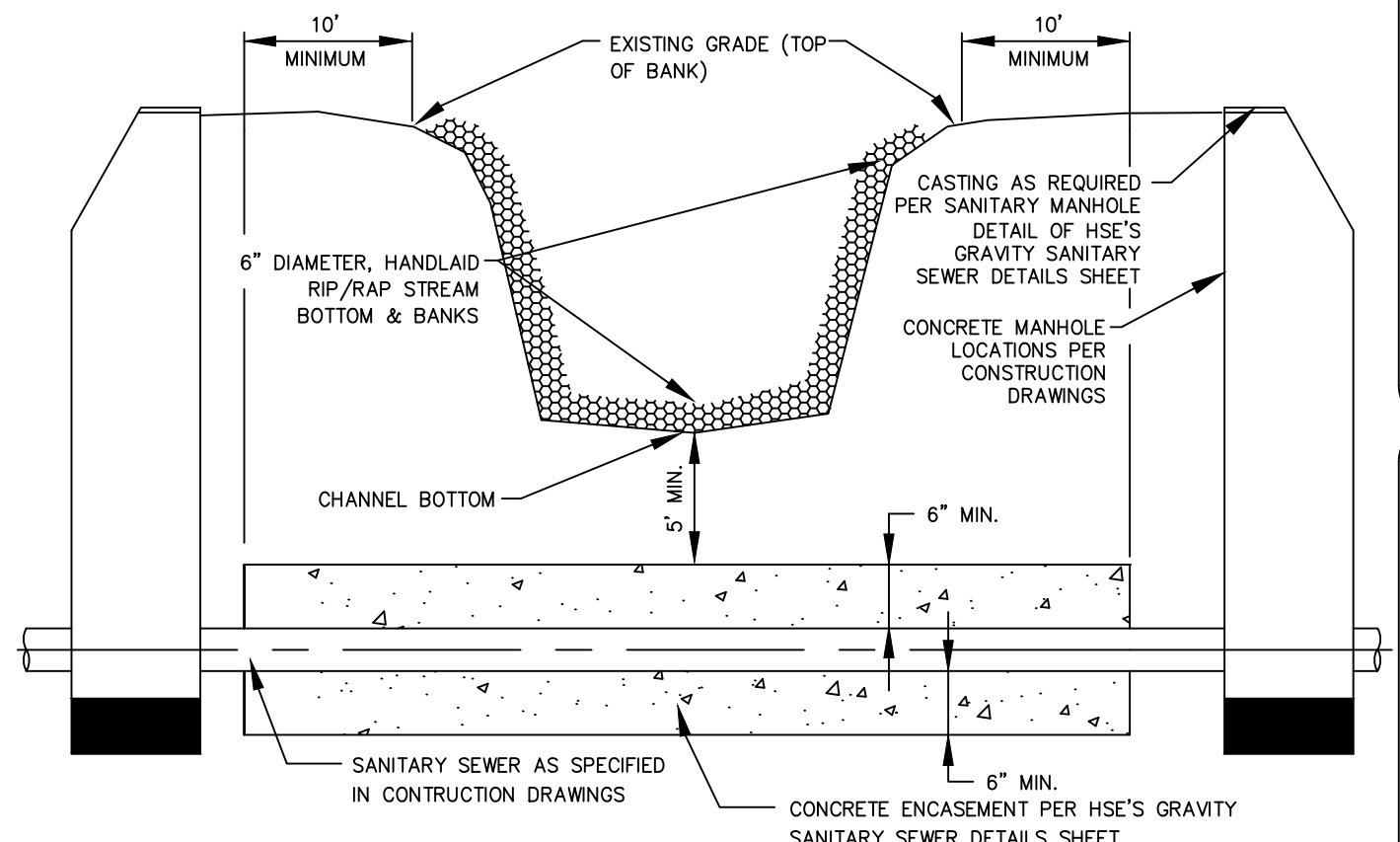


SODIUM HYPOCHLORITE ODOR CONTROL FACILITIES
NO SCALE

- NOTES:**
1. PROVIDE FULL LENGTH RIDGE VENT AND EAVE VENTS BOTH SIDES.
 2. ROOF TO SLOPE 1/8" WITH 6" MINIMUM OVERHANG.
 3. PROVIDE ELECTRIC WALL OR CEILING MOUNTED RESISTANCE TYPE HEATER (1500 WATT MINIMUM) WITH THERMOSTAT.
 4. PROVIDE (2) 100 WATT INCANDESCENT CORROSION PROOF LIGHT FIXTURES WITH GLOBE AND GUARD.
 5. PROVIDE STAINLESS STEEL OR 3/8" FIBERGLASS REINFORCED PLASTIC (FRPP) STAND OR WALL BRACKET FOR METERING PUMP.
 6. METERING PUMP SHALL BE PULSAFEEDER MODEL PRECISION II #P-03-M-1-KTIZ AND BE PAGED BY A 4-20mA SIGNAL FROM THE LEVEL SENSOR IN THE CONTROL PANEL.
 7. MIXER SHALL BE PULSAFEEDER 1/20 HORSEPOWER 110 VOLT 60 HERTZ. IMPELLER SHALL FIT STANDARD 55 GALLON DRUM BUNGE HOLE OPENING. OPTIONS: VINYL/TOXIC AND EPOXY/TOXIC. WIRE ONE RECEPTACLE TO TORKS 24 HOUR TIMER FOR MIXER CONTROL.
 8. PROVIDE CORPORATION STOP, ANTI-SIPHON VALVE ASSEMBLY, AND PRESSURE RELIEF VALVE, AS MANUFACTURED BY PULSAFEEDER. MODELS #61136 (1"), #3709400-PPL, AND #41587.
 9. CORPORATION STOP SHALL BE INSTALLED ON THE FORCE MAIN IN THE VALVE VAULT IMMEDIATELY PRIOR TO EXIT OF THE STRUCTURE.
 10. ALL PIPING SHALL BE STAINLESS STEEL TUBING. ALL BELOW GRADE PIPING SHALL BE INSTALLED WITH A SCHEDULE 40 PVC CARRIER PIPE.
 11. CEILING HEIGHT SHALL BE 7'-0" CLEAR SPACE.
 12. ALL WOOD PRODUCTS SHALL BE PRESSURE TREATED LUMBER AND/OR PLWOOD.
 13. ROOF SHALL HAVE 25 YEAR WARRANTY (BLACK) SHINGLES.
 14. FRP CORROSION RESISTANT EXHAUST FAN SHALL BE PLACED IN GABLE OF ROOF (500 CFM MINIMUM) AND BE THERMOSTATICALLY CONTROLLED WITH A MANUAL OVERRIDE SWITCH MOUNTED BY THE DOOR.
 15. MINIMUM R-12 FIBERGLASS INSULATION THROUGHOUT STRUCTURE WITH VINYL BACKING.
 16. FLOOR SHALL BE MINIMUM 4" 3000 PSI CONCRETE WITH 4x4x6 WELDED WIRE FABRIC.
 17. PRESSURE RELIEF LINE SHALL BE PIPED TO RETURN TO THE 55 GALLON SUPPLY DRUM.



CONNECT OF DEEP LATERAL TO MANHOLE DETAIL
NO SCALE



STREAM CROSSING - SANITARY SEWER/FORCE MAIN
NO SCALE (OPEN CUT)

DISCLAIMER:
THESE MISCELLANEOUS SANITARY SEWER DETAILS ARE COMPLEMENTARY IN NATURE AND SHOULD NOT BE INTERPRETED INDIVIDUALLY WITHOUT REFERENCE TO THE OTHER.
REVISED 12/19/2018

DATE	CHECK NO.	BY	DATE	CHECK
12/19/2018	1	WFE	12/19/2018	IK
12/19/2018	2	WFE	12/19/2018	IK

REVISIONS

DRAWN

BY DATE CHECK NO. BY DATE CHECK

12/19/2018 1 WFE 12/19/2018 IK

12/19/2018 2 WFE 12/19/2018 IK

UPDATED DETAILS ADDED. TNEMEC PAINT NOTE TO PIPE BOLLARD DETAIL.

REMOVED EXTERIOR INTERCEPTOR/SEPARATOR AND EXTERIOR GREESE TRAP DETAILS.

PROJECT

PREPARED FOR

TITLE

MISCELLANEOUS SANITARY DETAILS

SCALE: N/A

JOB NO.

SHEET OF

SAMCO

Sanitary Management & Engineering Company, Inc.

FISHERS, INDIANA 46038

317-577-1150 Fax 317-577-3642

CERTIFIED